

BioStar | IP Access Control Management System

BioStar is a comprehensive access control management software featuring efficient TCP/IP based system architecture with intelligent IP readers. It supports a wide choice of third-party devices and integration with other business systems which makes it the best solution in cost-reduction and flexibility in design.



BioStar Standard | Integrated IP Access Control Management Software

BioStar SE offers powerful and comprehensive access control functionalities for large-sized organizations. SE version controls up to 512 access control device with IP camera/NVR integration, anti-passback, muster zone, e-mail notification and visual map features.



BioStar Basic | Essential IP Access Control Management Software for SME

BioStar Basic is ideal for small to medium sized enterprises. The system covers up to 20 devices and supports integration with various database systems, event monitoring, T&A management and reporting features.



BioStar Lite | Embedded Web Server

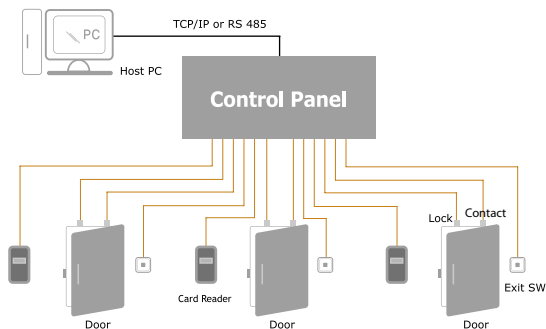
BioStar Lite is an entry level, web-based access control management application supporting up to 10 devices with one door anti-pass back. Simple user interface and synchronization with sub-devices makes system operation easier than ever.



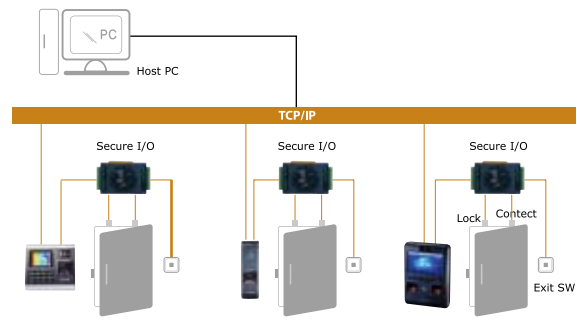
BioStar VideoPhone | Video Intercom Software

BioStar VideoPhone is an IP based video intercom software replacing an analogue video phone. Incorporating with Suprema readers such as D-Station and BioStation T2, the application will allow the operator to see who is at the door and grant access, if approved.

Advantages of IP Access Control System



Centralized Access Control Topology



Distributed IP Access Control Topology

Key Benefits

Lower per-door-cost
Elimination of control panels

Lower installation cost
Less wiring

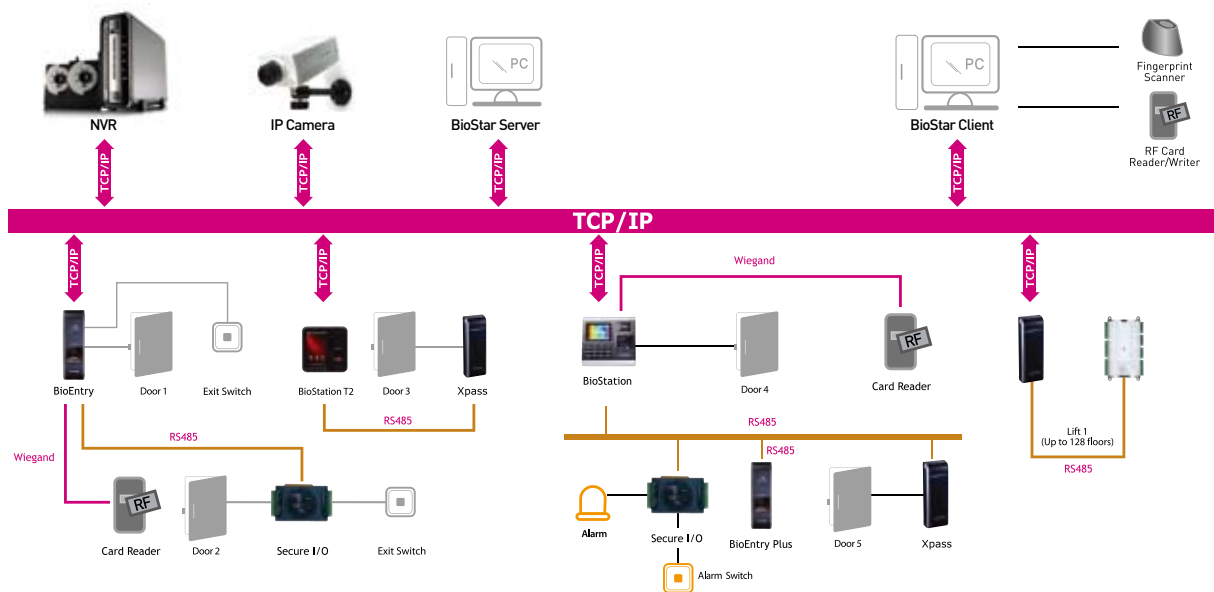
Scalability
No wasted capacity of control panels

Stability
No single point of failure affecting whole systems

Leverage
Utilizing existing network infrastructure

Power over Ethernet (PoE)
Extra efficiency in powering minor devices

System Configuration



Specification

	BioStar Lite (Embedded Web)	BioStar BE (Basic Edition)	BioStar SE (Standard Edition)
	License	Free	USB dongle
	System Architecture	Embedded Web	Server/Client
System	DB	N/A	MSDE, MSSQL, MySQL, Oracle
	Server Matching	N/A	N/A
	Max. Device	10	20
	Concurrent Client PC	2	2
	Time Schedule	128	128
	Access Groups	128	128
	Anti-passback	Yes (One Door)	N/A
	Zone	N/A	N/A
Access Control	APB, entrance limit, alarm access, fire alarm, muster zone	N/A	Yes
	Email Notification	N/A	N/A
	Roll Call	N/A	N/A
	Visual Map	N/A	N/A
	Event Monitoring	Yes	Yes
	IP Camera	N/A	N/A
	NVR Integration	N/A	N/A
	Lift Managment	N/A	Yes (Up to 120 floors)
Time Attendance	Work Time Calculation	N/A	Yes
	Shift Management	N/A	Weekly
	Holiday/Leave Management	N/A	Yes
	Report	N/A	Yes
	In/Out board	N/A	N/A

IP-based Distributed Access Control

The BioStar system goes a step beyond conventional access control systems, by combining unique biometric identification with configurable access card capabilities. With its intuitive easy-to-use GUI and wizard type settings, BioStar provides comprehensive access control security for enterprise-level systems to small-to-medium sized systems.



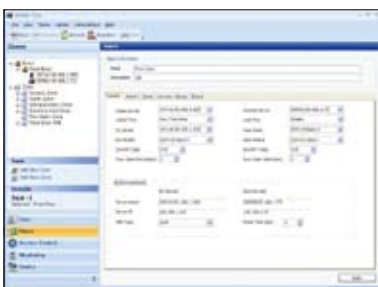
User Management

- 4 levels of departments
- User search interface
- Multi-level administrator settings
- Customized authentication mode by user
- Records user card issuance log



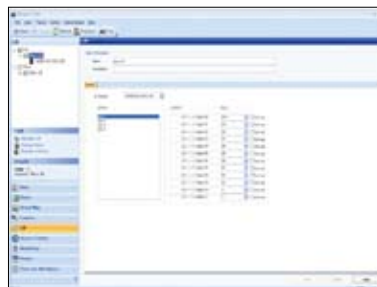
Access Control

- Controls up to 128 access groups
- Controls up to 128 time schedules
- 32 holidays configurable



Door Management

- 4 levels of door groups
- Controls up to 512 doors
- Set alarm feature per door



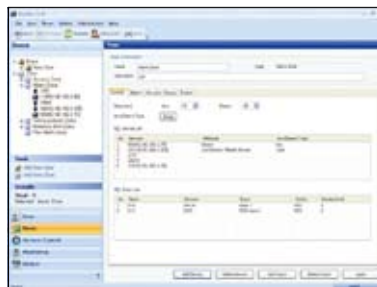
Lift Management

- Up to 120 floors control
- Configuration by each floor and user
- Dedicated Lift I/O module support



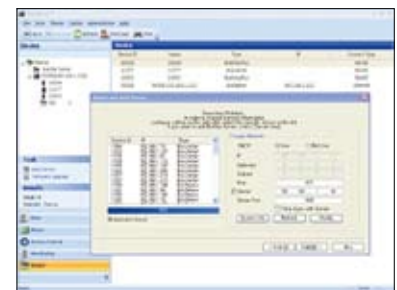
Visual Map Interface

- Graphical presentation of system
- Change device/door settings from the map
- Real-time monitoring on the map
- Event notifications in graphic icons
- Monitoring interface for doors and zones



Zone Management

- Fire alarm, alarm, anti-passback, entrance limit and access zone
- Controls up to 32-device zones
- Alarm setting for selected zones
- View event log for selected zones
- Interlock zone, muster zone



Device Management

- Configure access control devices & Secure I/O
- RS485 supports up to 8 devices & 4 Secure I/O's
- Server matching
- Real-time monitoring of device connection
- Wizard-type device search interface
- Easy firmware upgrade and reset



IP Camera & NVR Integration

- Real-time video monitoring
- Still image capturing upon preset events
- Supports event configuration with nominated access terminals
- Control of PTZ cameras
- Video log searching through NVR

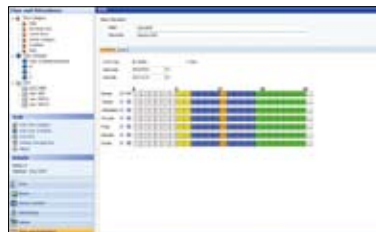
Enterprise-level Time Attendance

BioStar includes time and attendance (T&A) features to allow administrators to define time categories, shifts, daily schedules, and holiday settings. The T&A capabilities of BioStar can be used to enforce compliance with check-in and check-out procedures, restrict access to off-duty personnel, and report attendance data. BioStar allows administrators to customize T&A functions and generate various kinds of attendance reports.



Work Hour Calculation

- User-defined time category configuration
- Daily working schedule configuration
- Overtime calculation
- Rounding
- Grace



Shift Management

- Daily and Weekly cycle scheduling
- Multiple shift rules by a user



Reporting

- Daily / Individual summary and report
- Report by TA result (such as absence or late)
- Work hour displayed by time category
- Export in CSV



Holiday & Leave Management

- Holiday schedule configurable by group
- Leave schedule configurable by user



In/Out Board

- Real-time monitoring by T&A event

BioStar Lite | Embedded Web Server

BioStar Lite is an embedded web server software that is pre-loaded in select Suprema IP access control devices. BioStar Lite allows the administrator to manage users and devices using a web browser from any PC connected to an IP network. The software provides many convenient features including device configuration, user management, door/zone settings and live monitoring.

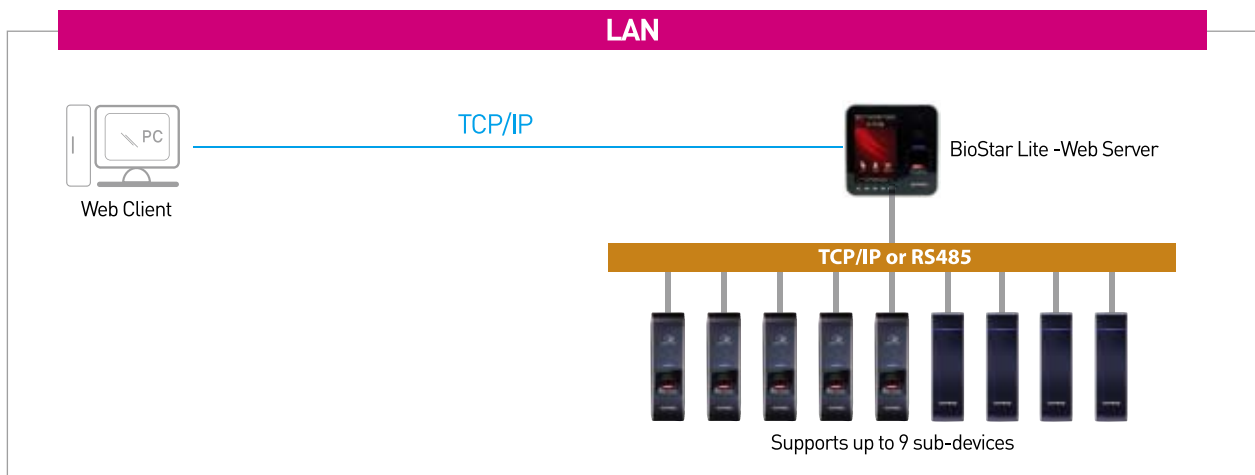
Features	<ul style="list-style-type: none"> Convenient management of the system within a web-based application. Supports the network control of up to 10 devices. (1 Main, 9 Sub-devices) No additional software installation required. Remote door control of each device. Easy anti-passback system configurations. Synchronized configurations.
-----------------	---

User Interface



- 1 User Tab** View and edit user information
- 2 Log Tab** View and monitor logs and events
- 3 Device Tab** Edit/Configure device Settings
- 4 Access Tab** Edit/Configure access groups & schedules
- 5 Data Tab** Back-up user data and configurations
- 6 Device List** View connected devices and their status
- 7 Device Management** Add/Control Devices
- 8 Door List** View doors and linked devices
- 9 Lock Control** Open/Close the selected door
- 10 Door Management** Add/Edit/Configure door settings

LAN Configuration



BioStar VideoPhone | Interphone Application

BioStar VideoPhone is a PC application which allows the operator to use the PC and the linked device as an interphone system. The application not only allows the operator to see who is at the entry point, but also provides the ability to open the door. The BioStar VideoPhone can support up to 8 different extensions with in the "multi-operator" mode.

Features Intuitive system management for a quick and easy configuration.
Simple user-friendly user interface for any style of user.
Two-way communication with a linked device.
Access control of a linked device.
Available with FaceStation, BioStation T2 and X-Station.

User Interface

Login

- User/administrator login
- Login with extension/IP

Operator Mode



- Remote door control [open]
- Mic/speaker volume control

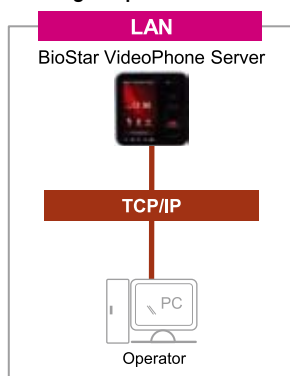
Configuration

IP Address	Extension	Password
192.168.0.1	523	1111
192.168.0.1	456	2222

- Add/delete/edit devices
- Extensions and password settings

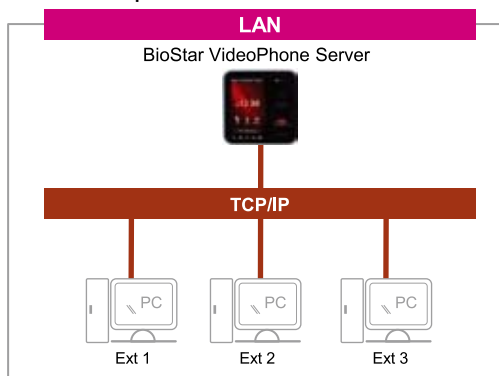
Configuration

Single Operator Mode



Intercom Process
Press [Call] on the device

Multi Operator Mode (Extension Mode)



Intercom Process
Press [Call] on the device → Enter an extension → Press [OK]