

KIMP349 - Industrial UHF Reader: IP66, circular polarization antenna



Feature

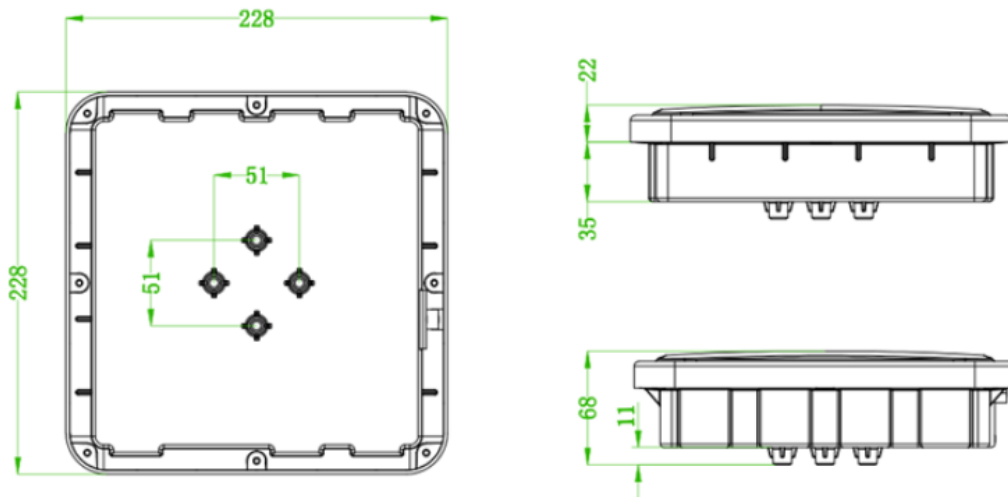
- ✧ UHF frequency band, support 866-868Mhz CE, 902-928Mhz FCC, other frequency band customizable
- ✧ All-in-one design, with antenna 8dBi circular polarization antenna
- ✧ Support RS232, Ethernet, Wiegand26/34
- ✧ Self-developed R2000 chip module, reading range 15m adjustable
- ✧ Lightning and surge protection design, IP66 rating, suitable for tough environment
- ✧ Support online upgrading
- ✧ Small in size but huge in reading distance

Specification

Technical Parameter	
Operating Frequency	866-868Mhz EU 902-928Mhz FCC 920-925Mhz China Other frequency band customizable
Working Protocol	EPC C1 GEN2(ISO18000-6C)
Working mode	FHSS/Fixed frequency
RF Output Power	15dBm~33dBm (@1dBm per step)
Antenna gain	8dBi, circular polarization
Communication interface	RJ45(Ethernet), RS232, RS485, Wiegand26/34
GPIO	2 channel relay output, 1channel photoelectric isolation input
Reading distance	0~12m (depends on antenna and tag as well)
Writing distance	0~5m
Working Voltage	DC 12V/3A

Material	ABS
Operating Temperature	-30°C~+70°C
Storage Temperature	-40°C~+85°C
Humidity	5%~95%(non-condensing)
Waterproof	IP66
Dimensions	228*228*66mm
Weight	1.5kg

Products Architecture



Application

- ◇ None stop vehicle access control
- ◇ Production line management
- ◇ Assets tracking
- ◇ Warehouse management
- ◇ Access control